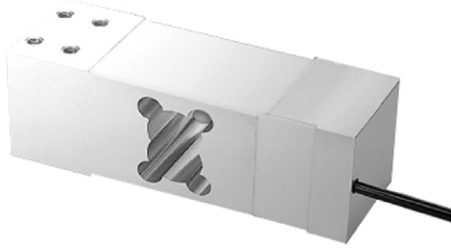


Low-Profile Off Center Single Point



FEATURES

- Capacities: 5 to 1000kg
- Cost-effective load cell for scales of simple construction
- Anodized aluminum alloy
- NTEP Class III 5000S approval from 5kg to 500kg
- OIML C3 approval from 5kg to 500kg
- OIML C6 approval from 500kg to 1000kg
- Platform size: 16" x 24"/40cm x 60cm

OPTIONAL FEATURE

- FM approval available

DESCRIPTION

LOC is a single-point low profile load cell designed for platform scales and hanging scales. It is a cost-effective load cell for scales of simple construction.

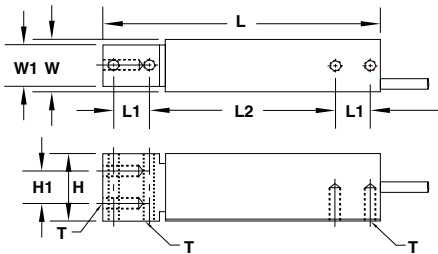
LOC is constructed of anodized aluminum, and is environmentally sealed up to IP66

levels providing excellent protection against moisture and humidity.

APPLICATIONS

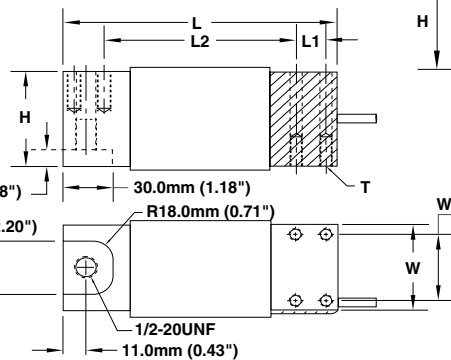
- Platform scales (single load cell)
- Packaging machines
- Dosing/filling
- Belt scales/conveyor scales
- In-motion check weigher

OUTLINE DIMENSIONS



SE

5 - 150kg
Cable Length: 3.3'/1m
Platform Size:
16"x16"/ 40cmx40cm

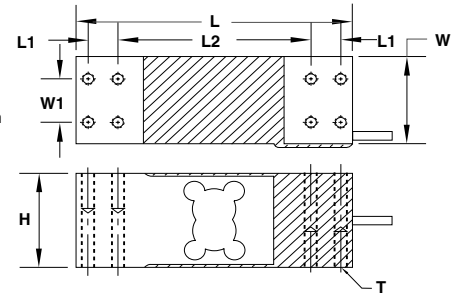


Wiring diagram

- + Excitation Red + Signal Green
- Excitation Black - Signal White

ME

50 - 800kg
Cable Length: 6.7'/2m
Platform Size:
16" x 24"/ 40cm x 60cm



LE

100 - 1000kg
Cable Length: 10'/3m
Platform Size:
16" x 24"/ 40cm x 60cm

	CAPACITY (kg)		L	L1	L2	W	W1	H	H1	T
SE	5/7/10/15/20/30/50/60/75/100/150	mm	150.0	19.0	100.0	30.0	24.0	39.5	19.0	M6x1.0
		(inch)	5.91	0.75	3.94	1.18	0.94	1.56	0.75	1/4-20UNF
ME	50/100/150/250/300/500/635/800 45A/100A/150A/250A/300A/500A/635A	mm	174.0	19.0	122.0	60.0	30.0	65.0	-	M8 x 1.25
		(inch)	6.85	0.75	4.80	2.36	1.18	2.56	-	5/16-18UNC
LE	100/250/100A/150A/250A/300A/500A/ 635A/800A/1000A	mm	191.0	25.0	125.0	76.2	60.0	75.0	-	5/16-18UNC
		(inch)	7.52	0.98	4.92	3.00	2.36	2.95	-	

*A: American Standard Thread

**SPECIFICATIONS**

PARAMETER	VALUE				UNIT
	NTEP III	Non-Approved	C3	C6	
NTEP/OIML Accuracy class					
Maximum no. of intervals (n)	5000 single*	1000	3000**	6000***	
$Y = E_{\max}/V_{\min}$	8000	5000	10000	12000	Maximum available
Standard capacities (E_{\max})	5, 7, 10, 15, 20, 30, 50, 60, 75, 100, 150, 250, 300, 500, 635, 800, 1000				kg
Rated output-R.O.	2.0				mV/V
Rated output tolerance	10				±% of rated output
Zero balance	1				±% of rated output
Non linearity	0.020	0.025	0.020	0.015	±% of rated output
Hysteresis	0.020	0.025	0.020	0.015	±% of rated output
Non-repeatability	0.020				±% of rated output
Creep error (20 minutes)	0.025	0.030	0.020	0.015	±% of rated output
Zero return (20 minutes)	0.025	0.030	0.020	0.015	±% of rated output
Temperature effect on min. dead load output	0.0022	0.0026	0.0014	0.0012	±% of rated output/°C
Temperature effect on sensitivity	0.0010	0.0015	0.008	0.008	±% of applied load/°C
Compensated temperature range	-10 to +40				°C
Operating temperature range	-20 to +60				°C
Safe overload	150				% of R.C.
Ultimate overload	200				% of R.C.
Excitation, recommended	10				Vdc or Vac rms
Excitation, maximum	15				Vdc or Vac rms
Input impedance	410±10				Ohms
Output impedance	350±3				Ohms
Insulation resistance	>5000				Mega-Ohms
Construction	Anodized aluminum				
Environmental protection	IP66				

* Capacities 5 - 500kg

** Capacities 5 - 500kg

*** Capacities 500 - 1000kg

All specifications listed subject to change without notice.

FM Approval

Intrinsically Safe: Class I, II, III; Div. 1 Groups A-G

Non-Incendive: Class I; Div. 2 Groups A-D

VISHAY TRANSDUCERS (VT) SALES OFFICES

VT Americas
City of Industry, CA
PH: +1-626-858-8899
FAX: +1-626-332-3418
vt.us@vishaymg.com

VT Netherlands
Breda
PH: +31-76-548-0700
FAX: +31-76-541-2854
vt.nl@vishaymg.com

VMG UK
Basingstoke
PH: +44-125-646-2131
FAX: +44-125-647-1441
vt.uk@vishaymg.com

VMG Israel
Netanya
PH: +972-9-863-8888
FAX: +972-9-863-8800
vt.il@vishaymg.com

VMG Germany
Heilbronn
PH: +49-7131-3901-260
FAX: +49-7131-3901-2666
vt.de@vishaymg.com

VT China
Tianjin
PH: +86-22-2835-3503
FAX: +86-22-2835-7261
vt.prc@vishaymg.com

VMG France
Chartres
PH: +33-2-37-33-31-20
FAX: +33-2-37-33-31-29
vt.fr@vishaymg.com

VT Taiwan*
Taipei
PH: +886-2-2696-0168
FAX: +886-2-2696-4965
vt.roc@vishaymg.com
*Asia except China



Disclaimer

All product specifications and data are subject to change without notice.

Vishay Intertechnology, Inc., its affiliates, agents, and employees, and all persons acting on its or their behalf (collectively, "Vishay"), disclaim any and all liability for any errors, inaccuracies or incompleteness contained herein or in any other disclosure relating to any product.

Vishay disclaims any and all liability arising out of the use or application of any product described herein or of any information provided herein to the maximum extent permitted by law. The product specifications do not expand or otherwise modify Vishay's terms and conditions of purchase, including but not limited to the warranty expressed therein, which apply to these products.

No license, express or implied, by estoppel or otherwise, to any intellectual property rights is granted by this document or by any conduct of Vishay.

The products shown herein are not designed for use in medical, life-saving, or life-sustaining applications unless otherwise expressly indicated. Customers using or selling Vishay products not expressly indicated for use in such applications do so entirely at their own risk and agree to fully indemnify Vishay for any damages arising or resulting from such use or sale. Please contact authorized Vishay personnel to obtain written terms and conditions regarding products designed for such applications.

Product names and markings noted herein may be trademarks of their respective owners.